

Mobile Medical

EPR and EPMA Cart and Workstation Manufacturer

ESL



In Partnership with:



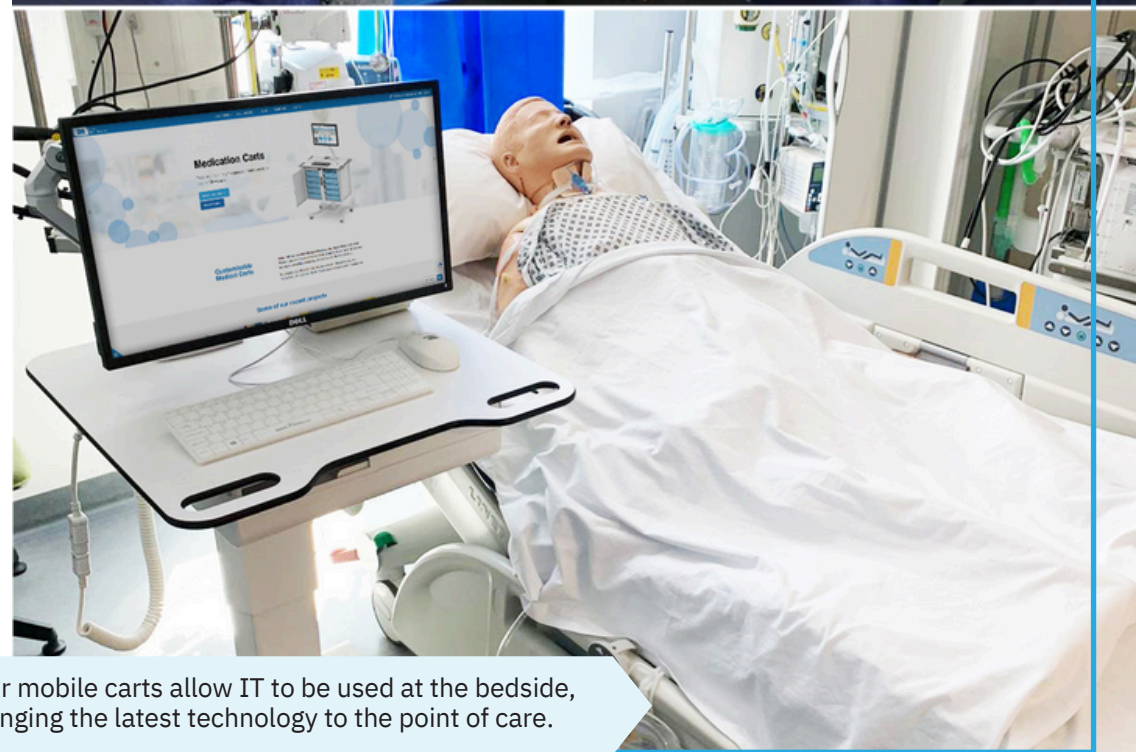
Dalen Healthcare

| What we do

- We listen to the issues faced by frontline staff and design solutions which allow more time and effort to be spent caring for patients.
- Our in-house design and manufacturing teams can tailor our solutions to meet your requirements in full, creating the right cart for you.
- We continually improve and develop our solutions by listening to customer feedback, resulting in user friendly medical carts that won't let you down on the ward.



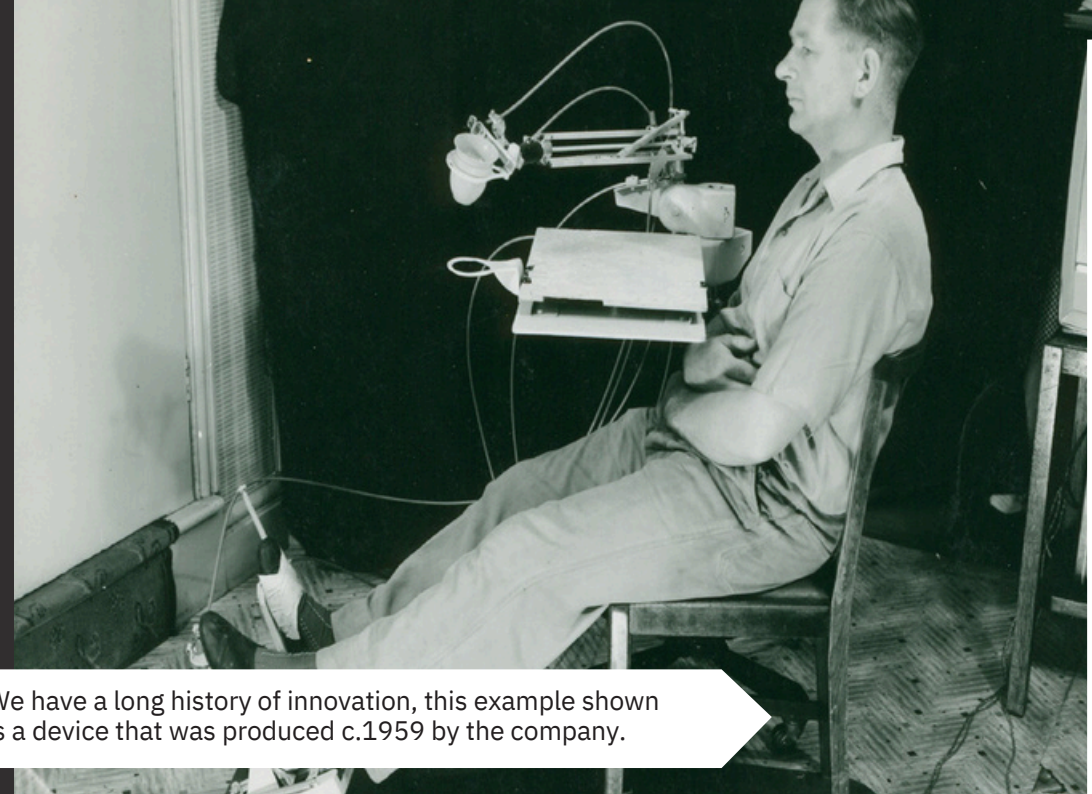
We responded quickly to help set up a vaccination centre at a local trust and our carts were used to help deliver the first covid vaccinations worldwide.



Our mobile carts allow IT to be used at the bedside, bringing the latest technology to the point of care.

| Innovation is in our DNA...

- Established in 1957, we have over 65 years of experience enabling us to provide solutions that help improve patient well-being.
- Based in Birmingham, today we employ over 70 people across our offices and factory.
- We work with a range of NHS partners, designing and manufacturing high quality specialised solutions.



We have a long history of innovation, this example shown is a device that was produced c.1959 by the company.



All of our products are designed and manufactured in house

We've got you covered...



Design consultancy

Our in-house design team can tailor our solutions to meet your requirements in full, creating the right cart for you.



On-boarding & user support

We offer support at an early stage, providing how-to guides & product demonstrations to aid with training.



Kerbside to bedside

Installation will be planned around your needs, with a clear plan from kerbside to bedside, operating as an extension of your team.



Future proof

We honour your 'right to repair' and offer spare parts for the lifetime of the product. We can also adapt our carts to support new hardware as systems evolve.



Won't let you down on the ward

We manufacture our carts in steel and with high-quality components ensuring that they can always be relied upon.



We're with you all the way

We focus on project management and initial support, with a relationship that runs throughout the whole product lifecycle. We can even take away your old carts and responsibly recycle them.

We're here to help

From deployment...



IT considered from the start, rather than as an afterthought.

Supporting you through your digital transformation.

Streamline your cart deployment and installation.

To daily use...



Enable IT to be used at the bedside whilst engaging and interacting with patients.

Easy to clean, antimicrobial & infection control friendly.

Improve patient care through technology enhanced healthcare.

MediCab

- **Talk to us about your workflow**
Every use case is different, and we can tailor our carts to your specific needs.
- **Securely store your medication**
Substantial & secure drawer space for medication, medical supplies & blood sample collection.
Manufactured to [BS 2881: 1989 \(Security Level One\)](#) standards to ensure controlled drugs are stored safely.
- **Ergonomic by design**
Electronically height adjustable cabinet to ensure comfortable use for everyone and easy access to drawers at any height.

EPMA example

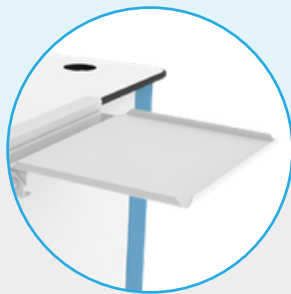
- Keep medicine safe in a securely locked cabinet.
- Scan wristbands and medication for closed loop dispensing.
- Sanitise hands easily between patients and dispose of waste.
- Upright storage of bottle medication.
- PC & monitor with PowerLiFe battery for 8hrs+ continuous use.



Build your cart...
Customisation examples we offer



Print your trust's branding directly onto the cart



Medication dispensing shelf

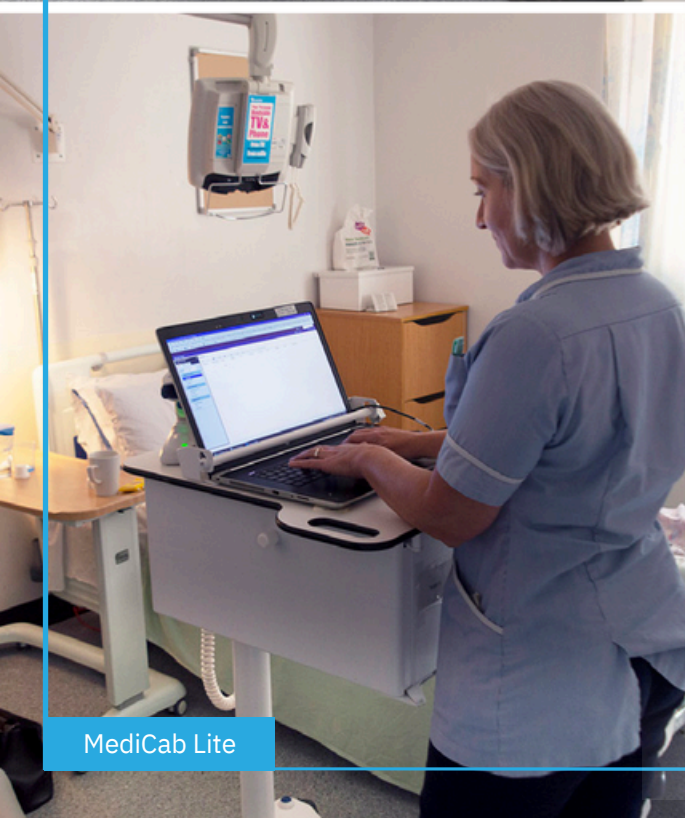


PowerLiFe battery for 8hrs+ continuous use
Power system conformant to IEC60601-1 standards



Phlebotomy example

- Substantial storage with easy access to phlebotomy supplies.
- Scan wristbands, print & label samples from one workstation.
- Large sharps bin to dispose of sharps waste safely.
- Laptop with adjustable arm to suit user preference.



MediCab Lite

Looking for something a bit bigger or smaller?

We have a range of storage size options to suit every space



Lite

An agile cart for when just a small amount of storage is required.

XL

Wider drawers for when you need a little more space.

Duo

Double width cart with plenty of room for medical supplies and separate bottle storage at the back of the unit.

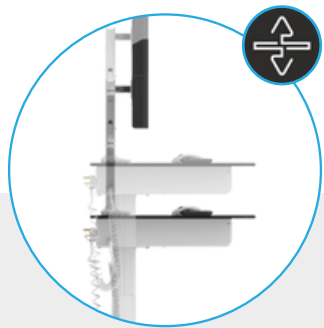
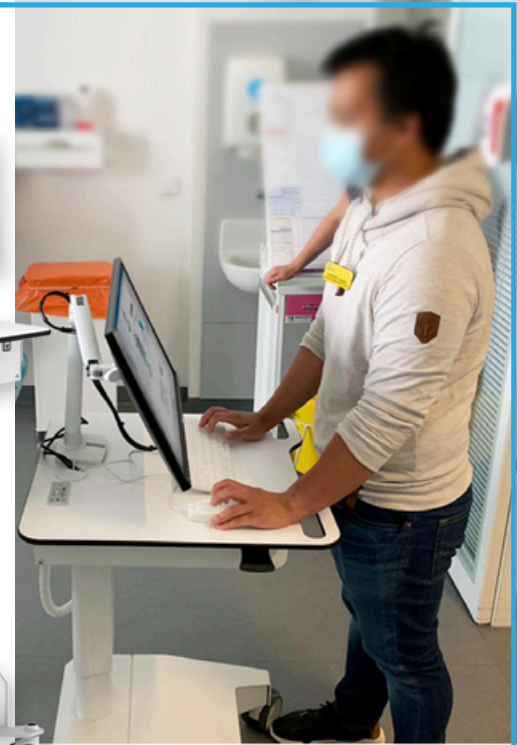


Standard

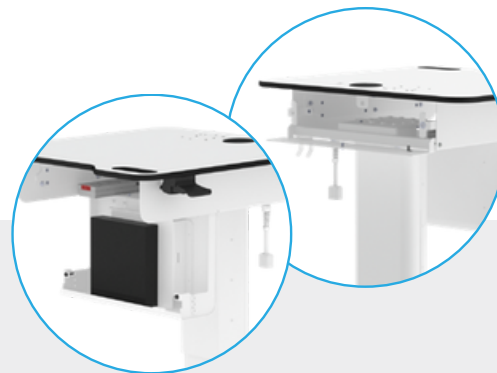
Highly versatile cart suitable for most spaces.

Workstation on Wheels

- **Ergonomic and fully adjustable**
Set the cart to the user's height preference quickly, with a screen mount that can be adjusted to remove obstruction from the patient's eye line.
- **Safe and reliable battery power**
Designed as a fully mobile solution, we utilise the latest battery technology enabling you to monitor battery health and the number of charge cycles to ensure a long service life.
- **Reduce downtime with easy to maintain equipment**
Quick and easy technician access to computer equipment via a unique hinge mechanism.



Height adjustable to ensure comfortable use for everyone



Easy access to IT for maintenance

Laptop on Wheels

- **Complete mobile laptop workstation**
Ergonomically designed with a small footprint, slim profile and built in handles for easy manoeuvrability.
- **Secure your laptop**
Can be supplied with a secure bracket designed to protect your investment.
- **Infection control friendly**
Antimicrobial paint and worktops mean that you can easily adhere to any infection control requirements.



Height adjustable to ensure comfortable use for everyone



Small compartment for tidy storage of power cables and adaptors



Can be supplied with our adjustable laptop retainer bracket



Online physiotherapy appointments

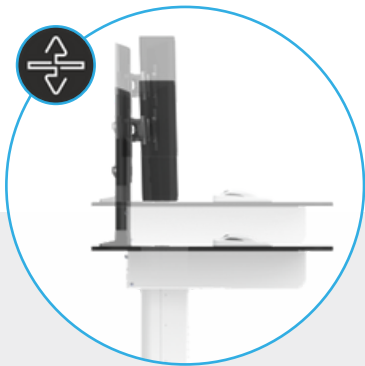
We helped London North West University Healthcare NHS Trust to bring their regular services online and conduct virtual appointments.

All In One Computer on Wheels

- Made specifically for battery powered AIO computers
The worksurface is spacious and specifically designed for a battery powered AIO PC.
- Mobile & easy to use
Height adjustable to ensure comfortable use for everyone. Easily manoeuvrable featuring a lightweight design, small footprint and slim profile.



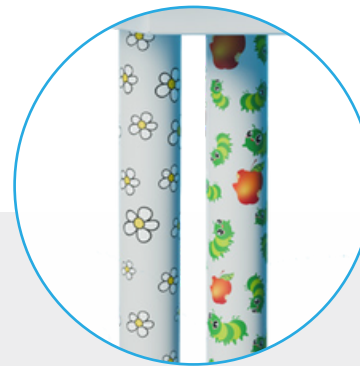
Colour code your carts to assign to separate wards.
We can provide antimicrobial paint of any RAL code to customise your carts.



Independent worktop and screen height adjustment



Slide out ambidextrous mouse tray



Branding for Children's Wards available

Hot Swappable Batteries

- Always ready to go

Using a medical grade PC that runs on hot swappable batteries means the PC can be in use 24/7, so it is always readily available. If the batteries ever run flat, you have the option to quickly and easily swap a battery to get up and running as fast as possible; or you can plug the cart into a power outlet on the wall which will also charge the batteries.



Docking station available for fully charged spare batteries for instant deployment.



OmniCart

- Securely store your medication
Substantial & secure drawer space for medication, medical supplies & blood sample collection. Manufactured to **BS 2881: 1989 (Security Level One)** standards to ensure controlled drugs are stored safely.
- Infection control friendly
Antimicrobial paint and worktops mean that you can easily adhere to any infection control requirements.



Bespoke options available, Ophthalmology example shown tailored for use with a Optos California camera



Upgrade
PowerLiFe battery for 8hrs+ continuous use
Power system conformant to IEC60601-1 standards



Solo
Single width cart with a large amount of storage

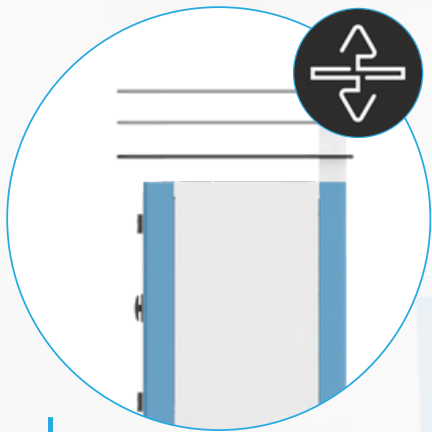
Solo XL
Wider drawers for that extra bit of space

Duo
Double width cart with plenty of room for medical supplies

OmniCart Pro

Duo Pro

Ergonomic worktop
Electronically height adjustable
worktop to ensure comfortable
use at any height.



Solo Pro



Upgrade
PowerLiFe battery for
8hrs+ continuous use
Power system conformant to
IEC60601-1 standards

Tablet Carts

- **Keep patients connected**

Enable patients to call friends and family privately, eliminating the need for staff to hold or operate tablets during calls.

- **Clinical use of tablets at the bedside**

Easily use tablets at the bedside for electronic observations.

- **Neonatal video calls**

Help parents to be closer to their newborn by connecting the neonatal unit to the maternity ward via video calls.



Go Tablet Cart
Height adjustable
worktop
Height, swivel
& tilt adjustment



Link Tablet Cart
Height, swivel
& tilt adjustment



Adjust the tablet to your preferred viewing position



Accommodates all tablet models



Empowering and connecting care home residents
We worked with Livability to help residents connect with friends and family privately, empowering them to be more independent.

Wayfinder + Patient Check-in Kiosks

- Perfect for maps and wayfinding
Enables screens to be securely placed in any open plan environment, allowing information to be displayed to patients or staff for map display and way-finding purposes.

- Ideal for patient check in
These units are ideal for use as check-in points for patients or for general wayfinding and information purposes.

made to measure for your screen

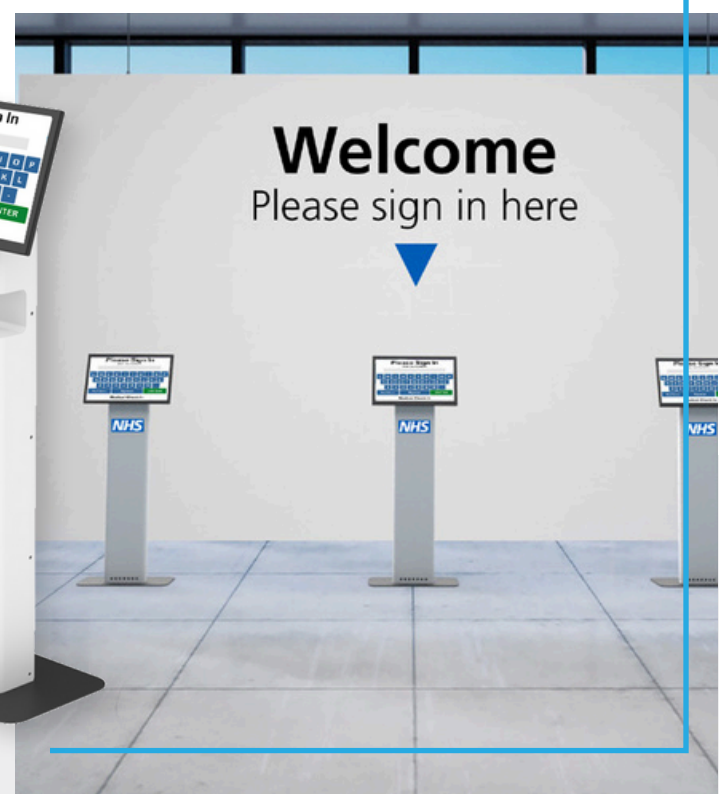
Wayfinder
Suitable for up to 42-55" screens



Patient Check-In Kiosk
Suitable for up to 32" screens



Can be integrated with a scanner to check patients in via QR code.



Removable panels for easy maintenance



Can be branded with your logo!

NHS

**Solent
NHS Trust**



Build your cart!

If you're unsure what you need, don't worry!
Many of our customisations can be added after the fact through our flexible and modular design.



Bag holder to easily dispose of your waste



Dispose of your sharps waste safely



Sanitise your hands between patients



Make it your own with your Trust's branding printed directly onto the cart



Digital code lock



Colour code your carts to assign to separate wards



PowerLiFe battery for 8+ hrs continuous use
Power system conformant to IEC60601-1 standards



Scan wristbands, print & label samples from one workstation



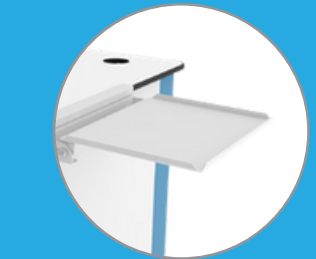
Upright bottle storage



Drawer dividers for organising medication



Brand the base of your cart with your Trust's logo or ward information



Medication dispensing shelf

We are able to integrate a wide range of laptops, monitors and all-in-one medical grade computers.



Secure worktop laptop bracket



Ergonomic arm + secure laptop bracket



Ergonomic monitor arm



Monitor post with height, swivel + tilt adjustment



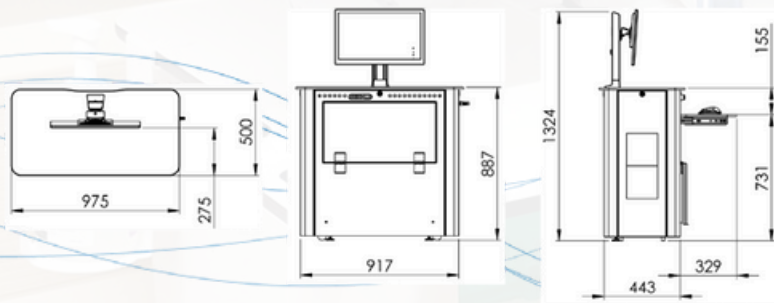
Bespoke Design Service

Haven't found what you're looking for?

We offer a bespoke design service enabling us to create completely custom products to suit your requirements.

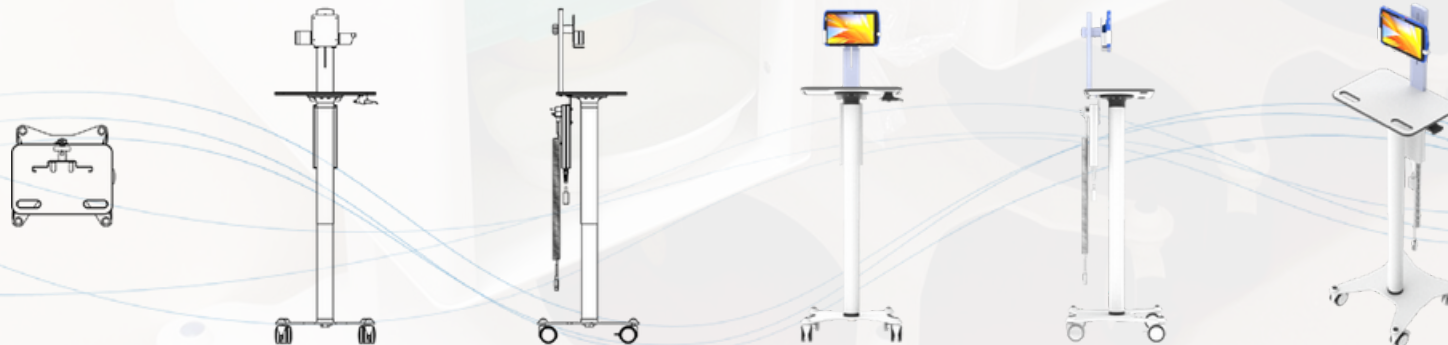
Downtime Workstation

- Designed to work with Cerner Millenium's 724Access downtime viewer, the workstation houses a PC, A4 printer, screen and keyboard.
- Ideal solution for BCP (Business Continuity Planning) to keep working in the event of network or software related disruption.



Drop & Go Tablet Cart

- Created to ensure that there is no de-mobilisation when staff are using a tablet based EPR system and provides the option to go hands free when at the point of care.



ESL © 1982 All rights reserved.

Custom built carts

MediCab / Workstation on wheels

Laptop on wheels / OmniCart / OmniCart Pro

Tablet Carts / Check-in Kiosks



EnterpriseStationery.com

ESL

Enterprise Stationery Ltd

Silverwood Industrial Area, Lurgan

Northern Ireland BT66 6LN

Tel +44 (0)28 3832 6718

Enquiries@EnterpriseStationery.com



ISO 9001

Quality Management System

ISO 14001

Environmental Management System